

## 1 Description

Hager Companies introduces its new 36 inch stainless steel push plate line. These push plates are designed to mount directly on any flat wall surface. The faceplate is made of stainless steel for durability, and has concealed fasteners for aesthetics and to minimize vandalism.

The push plates may be hard wired to an automatic door operator, activation input device or connected to Hager's line of radio-controlled transmitters. The transmitter is located within the plastic end cap to maximize signal strength.

Wireless P/N: 2-659-0178  
 Hard wired P/N: 2-659-0179



## 2 Specifications

Switch Sub Assembly		Push Plate Assembly	
Contact Configuration	SPST N.O.	Base Material	6063 Aluminum
Switching Voltage	.1 to 50 VDC	Face Plate	304 Stainless Steel
Switching Capacity	1 Watt	Switch Actuator Material	Nylon 66
Switching Current	.005 to 100 ma DC	End cap Material	UL94 ABS
Operating Temperature	-32F (-35C) to 212F (100C)	Hardware	Stainless Steel

## 3 Precautions



**CAUTION**

- Shut off all power going to header before attempting any wiring procedures.
- Maintain a clean & safe environment when working in public areas.
- Constantly be aware of pedestrian traffic around the door area.
- Always stop pedestrian traffic through the doorway when performing tests that may result in unexpected reactions by the door.
- ESD (electrostatic discharge): Circuit boards are vulnerable to damage by electrostatic discharge. Before handling any board ensure you dissipate your body's ESD charge.
- Always check placement of all wiring before powering up to ensure that moving door parts will not catch any wires and cause damage to equipment.
- Ensure compliance with all applicable safety standards and/or building codes (i.e. ANSI A156.10, 156.19) upon completion of installation.
- DO NOT attempt any internal repair of the components. All repairs and/or component replacements must be performed by Hager Companies. Unauthorized disassembly or repair:
  1. May jeopardize personal safety and may expose one to the risk of electrical shock.
  2. May adversely affect the safe and reliable performance of the product resulting in a voided warranty.

## 4 Installation

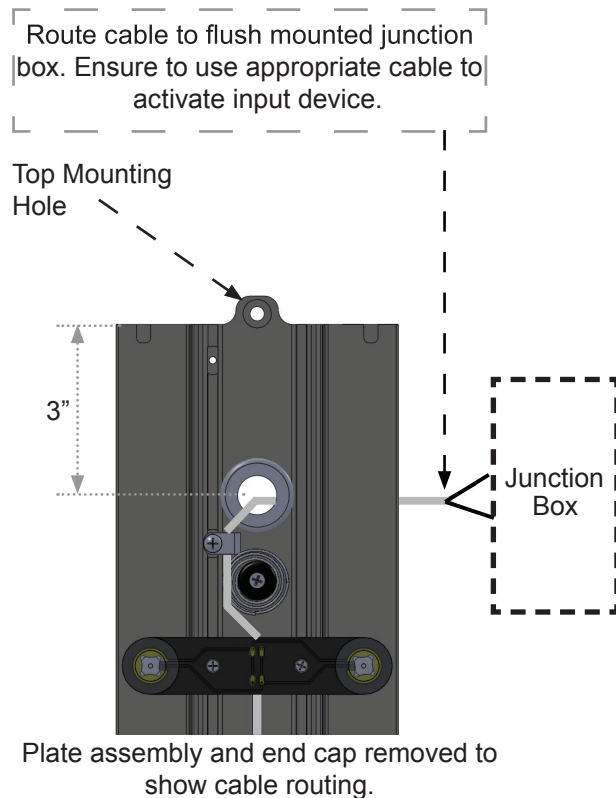
### 1 MOUNTING LOCATION

Determine appropriate location on the wall. If hard wiring, install a junction box flush with the wall. If installing the wireless version, mark the position of the top mounting hole as shown and fasten the plate assembly through the top mounting hole. Be certain to locate the plate and/or junction box corresponding to the local building code requirements. Use appropriate wall anchors for the wall type.

**CAUTION:** Mounting the plate on an uneven surface will cause the switching mechanism to hold the circuit closed at all times.

### 2 HARD WIRED VERSION

Install an appropriate junction box flush with the mounting surface approximately 3 inches centered below top edge of the plate assembly. Remove top screw caps, end cap screws and end cap. Remove front plate. Install an appropriate grommet into the pre-drilled wire passage hole. Remove cable from top clamp and route thru the grommet to the junction box. Make necessary electrical connections ensuring to keep excess wire(s) inside the junction box. Install appropriate anchor thru top mounting hole. Replace front plate, end cap, screws and screw caps. To avoid activation issues, do not push excess wire(s) into the plate assembly during re-assembly.

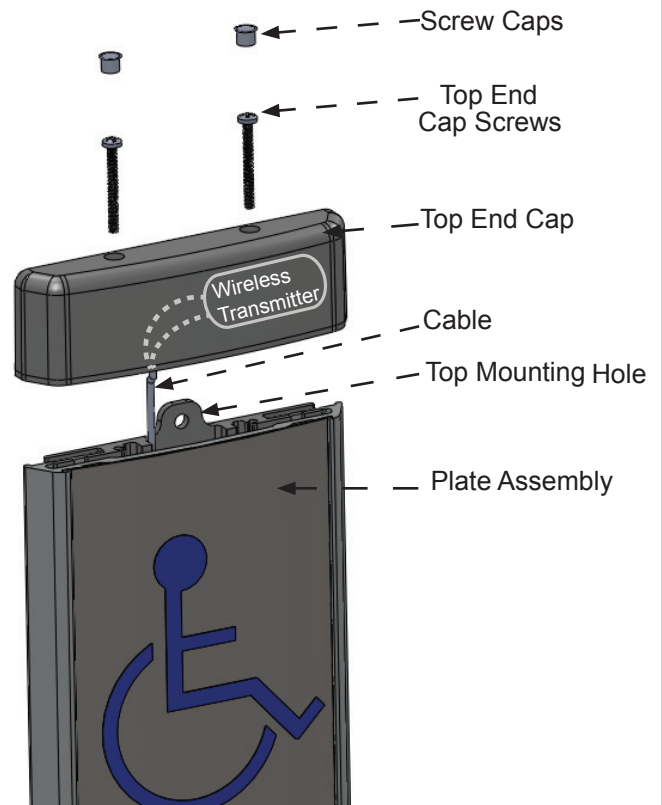


### WIRELESS VERSION

Remove Top Screw Caps, End Cap Screws and End Cap. Allow Top End Cap assembly to hang by the cable during the following steps. Install appropriate anchor thru top mounting hole. Replace front plate, end cap, screws and screw caps. To avoid activation issues, do not push excess wire(s) into the plate assembly during re-assembly.

**CAUTION:** Do not pull on this cable.

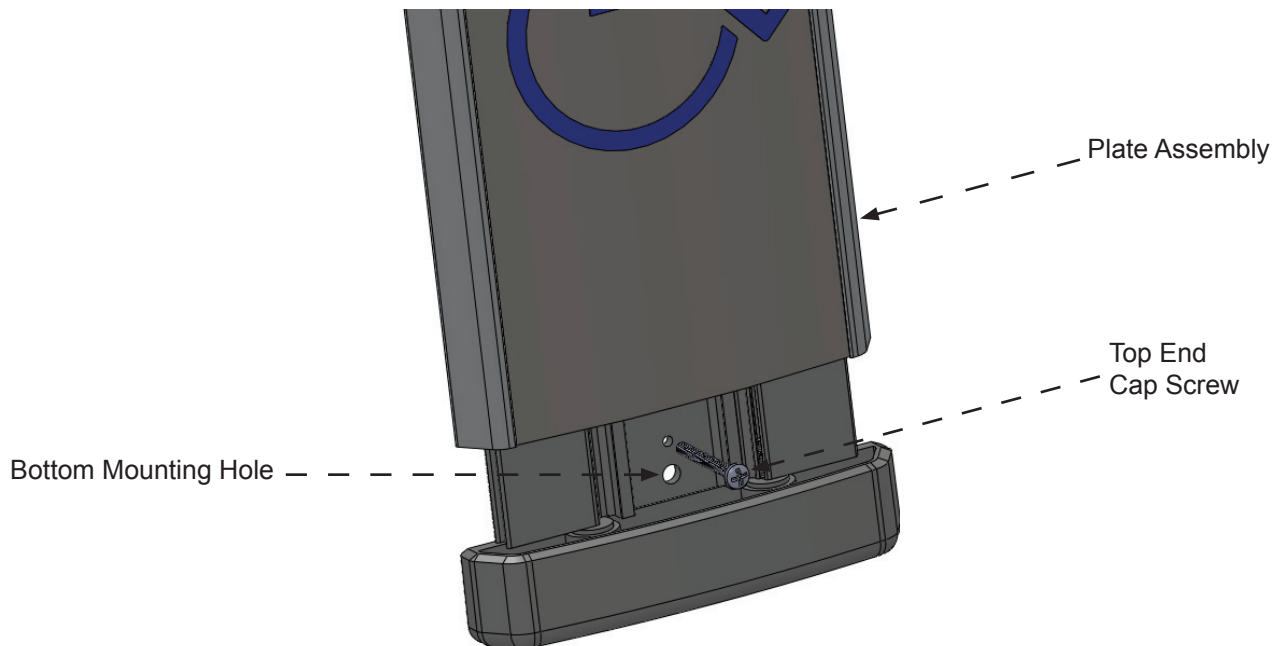
**NOTE:** To complete the wireless setup procedure, review its respective user guide.



## 4 Installation (Continued)

### 3 BOTTOM PLATE ASSEMBLY AND ALIGNMENT

To expose the bottom mounting hole, slide the front plate upwards a few inches. Insert one of the top end cap screws in the threaded hole on the bottom of the base plate to hold the front plate up.



With the bottom mounting hole now exposed, plumb the plate assembly and install the bottom mounting screw. Remove top end cap screw from base while supporting the front plate. Slide the front plate back down. Replace top end cap with the provided screws and insert push-in plastic screw caps.

## 5 Cleaning

The push plates are constructed with durable stainless steel and painted with scuff-resistant coatings. To clean the plates, use only a damp, non-abrasive cloth. Regular cleaning with harsh solvents or abrasive materials may cause deterioration of the paint coating. Ensure the user is aware of this procedure.

## 6 Company Contact

### ANSI / AAADM Compliance

**AAADM** *American Association of  
Automatic Door Manufactures*

Upon finishing the installation and/or service work perform at a minimum a daily safety check in accordance with the minimum inspection guidelines provided by AAADM. Provide each owner with an owner's manual that includes a daily safety checklist and contains at a minimum the information recommended by AAADM. Offer a familiarization session with the owner explaining how to do daily inspections and calling out location of cutoff switches to put equipment out of service if a deficiency is noted. The equipment should be inspected in accordance with the minimum inspection guidelines annually. A safety check that includes at a minimum the items listed on the safety information label must be performed during each service call. If you are not an AAADM certified inspector, Hager Companies strongly recommends to have an AAADM certified inspector perform an AAADM inspection and placing a valid inspection sticker below the safety information label prior to placing the equipment into operation.